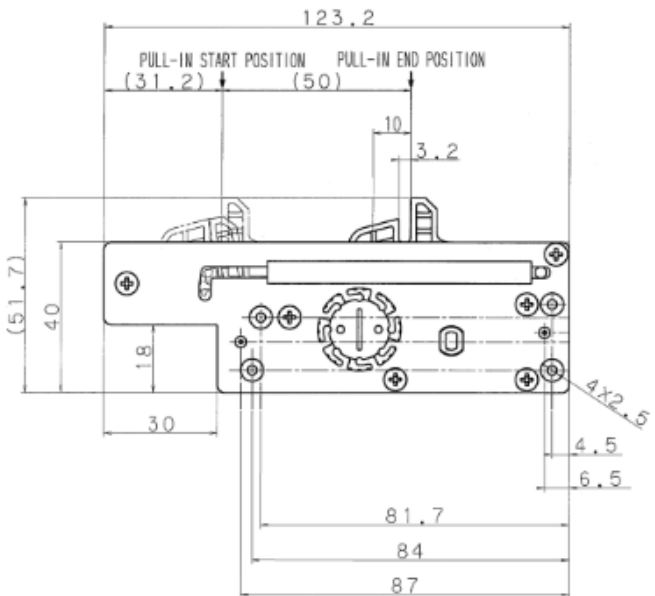


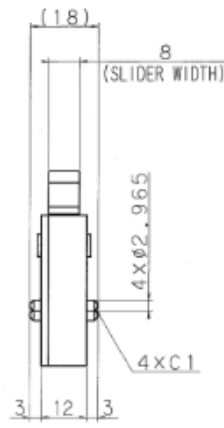
SR5 - RETRACTABLE BRAKING SYSTEM



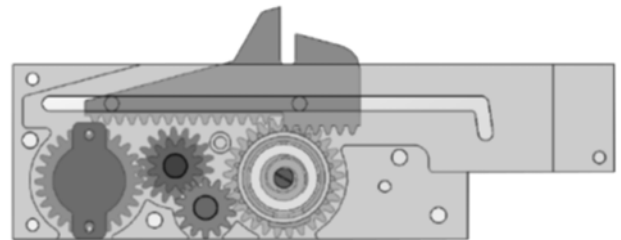
■ CRITERION SPECIFICATION *Customization Available



ALLOWABLE PULLING DIRECTION	25N
ALLOWABLE RETRACTING DIRECTION	10N
DURABILITY	4,000 cycles
PATENT	PENDING



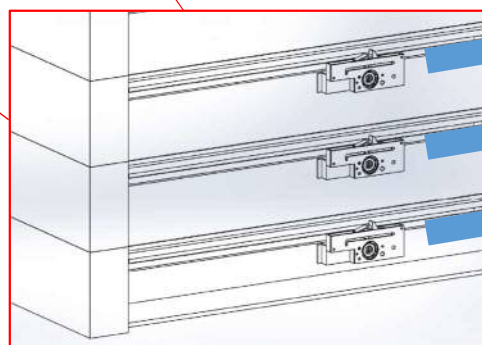
PULLING DIRECTION →
← RETRACTING DIRECTION



■ APPLICATION



Drawer of copy machine
Drawer of kitchen shelf



Retracting force

PLASTIC BALL BEARING *Customization Available

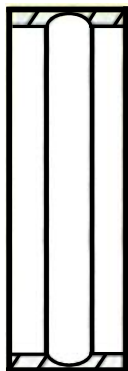


■ Why Plastic bearings?

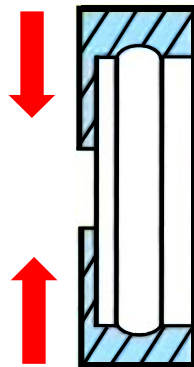
	Plastic bearings	Steel bearings
Low noise	◎	×
Light weight	○	×
Anti-corrosion	◎	×
Electrical insulation	○	○
Flexibility design	◎	×

■ TYRE DESIGN

STEEL BEARING



PLASTIC BEARING



Thanks to the flange it is capable of enduring the high radial load.

CONTACT

TOK, Inc.

Tokyo Office

+81-3-3969-1584

en-contact@tok-inc.com

www.tok-inc.com

Dusseldorf Office

+49-211-9350-131

europe@tok-inc.com

www.tok-inc.com

TOK America, Inc.

Los Angeles Office

+1-844-486-5872

contact@tok-usa.com

www.tok-usa.com