

New Product

SR2 Series

TOK's **New Product SR2** series is making a new value of control motion. As a mechanism of this product is that the drive from the input shaft transmits to the output shaft to follow. The drive from output shaft doesn't transmits to the input shaft to follow since the output shaft is locked so that the input shaft does not rotate. Therefore, the output shaft is restricted to rotate in a certain direction. **SR2** would be a perfect



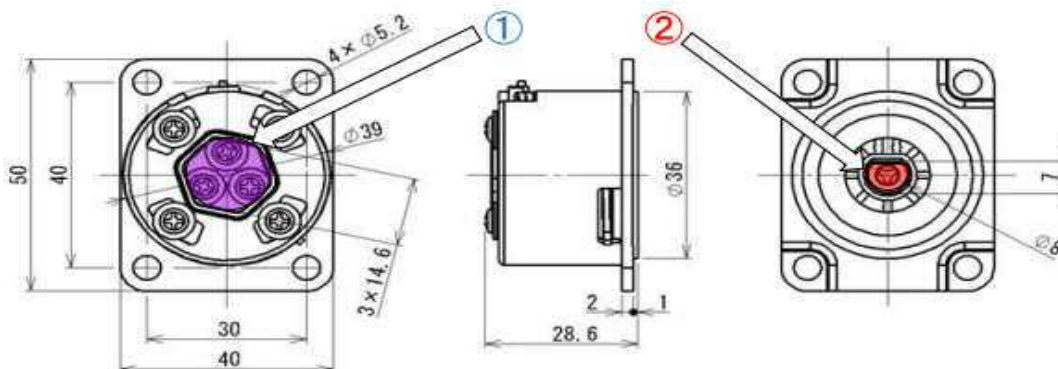
SR2 - 01

Product: **S R 2 - 0 1 - 1 0 K R**

Allowable Locked Torque: 1.25 N.m

Drag Torque: up to 20mN.m

Durability: 10,000 Cycles (up&down within 1m)



Rotation		How to function
Input	Direction	Output
①	CW	② is followed
①	CCW	② is followed
②	CW	② is locked. ① shouldn't follow
②	CCW	① is followed

*Rotation direction above is when ① faced as front.

Part item	Material
Input Member	ZDC
Output Member	ZDC
Fixed Member	POM

< Recommended Environment >

Operation	Temperature	
	0 °C /32F	40 °C /104F